

## ⚠ SAFETY INSTRUCTIONS ⚠

Owner must ensure that all players know and follow these rules for safe operation of the system.

To ensure safety, do not attempt to assemble this system without following the instructions carefully. Check entire box and inside all packing material for parts and/or additional instruction material. Before beginning assembly, read the instructions and identify parts using the hardware identifier and parts list in this document. Proper and complete assembly, use, and supervision are essential for proper operation and to reduce the risk of accident or injury. A high probability of serious injury exists if this system is not installed, maintained, and operated properly.

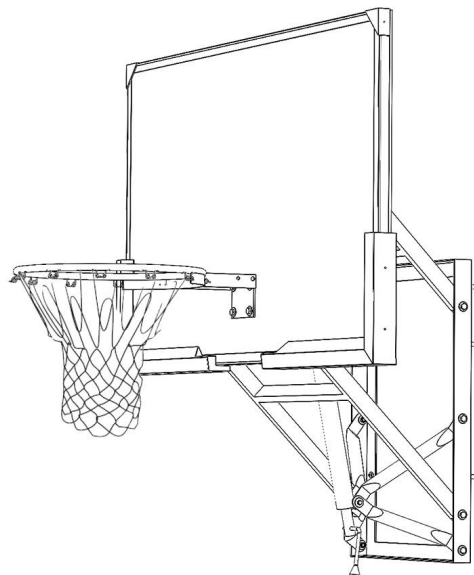
- If using a ladder during assembly, use extreme caution.
- Two(2) capable adults are recommended for this operation.
- Check base regularly for leakage. Slow leaks could cause system to tip over unexpectedly.
- Seat the pole sections properly(if applicable). Failure to do so could allow the pole sections to separate during play and/or transport of the system.
- Climate, corrosion, or misuse could result in system failure
- Minimum operational height is 66"(1.98 m) to the bottom of backboard.
- This equipment is intended for home recreational use only and NOT excessive competitive play\*Read and understand the warning label affixed to pole.
- The life of your basketball pole depends on many conditions. The climate placement of the pole location of the pole exposure to corrosives such as pesticides, herbicides or salts are all important.
- Adult supervision is recommended when adjusting height.

### **Notice to assemblers:**

All the basketball systems, including those used for displays, must be assembled and ballasted according to instructions. Failure to follow instructions could result in serious injury.

Please read all warnings and cautions before assembly. It is recommended to supervise children as they play with this product. This product is to be assembled by 2 adults only!

We appreciate your purchasing one of our many fine products. We are assure that you will be very satisfied with your selection.



**ANBOO**  
**www.anboo.co**  
**Tel:0086-523-86665602**  
**Wechat:13795289053**  
**E-mail:Service@anboo.co**

Please confirm that the following accessories are complete after opening the package.



A\*4



B\*8



C\*4



E\*1



F\*1



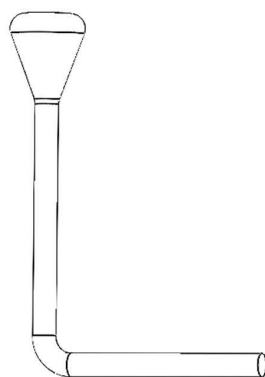
D\*6



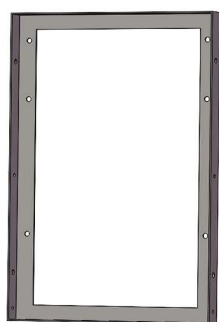
E\*1



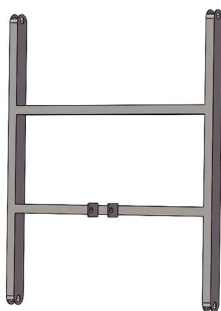
F\*1



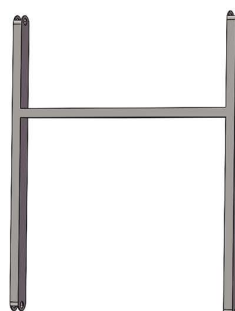
G\*1



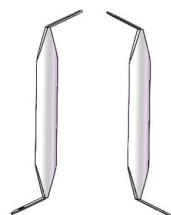
01



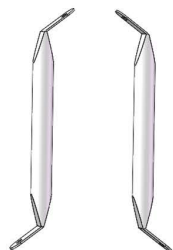
02



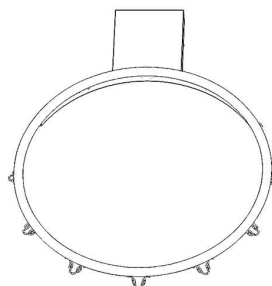
03



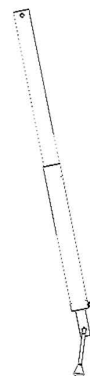
04



05



06



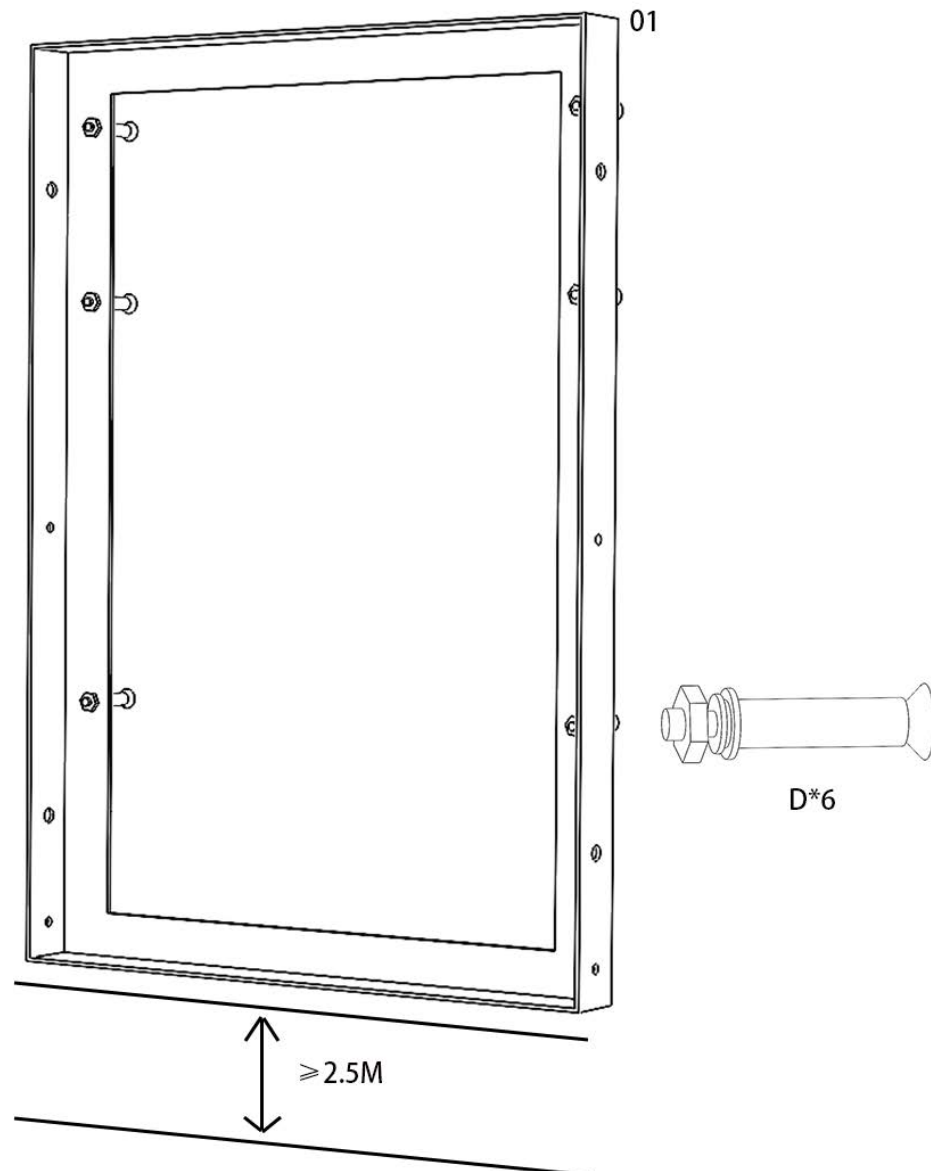
07

## Installation Steps:

1. Determine the installation position, place the frame(01) horizontally and vertically and mark the 6 drilling positions.

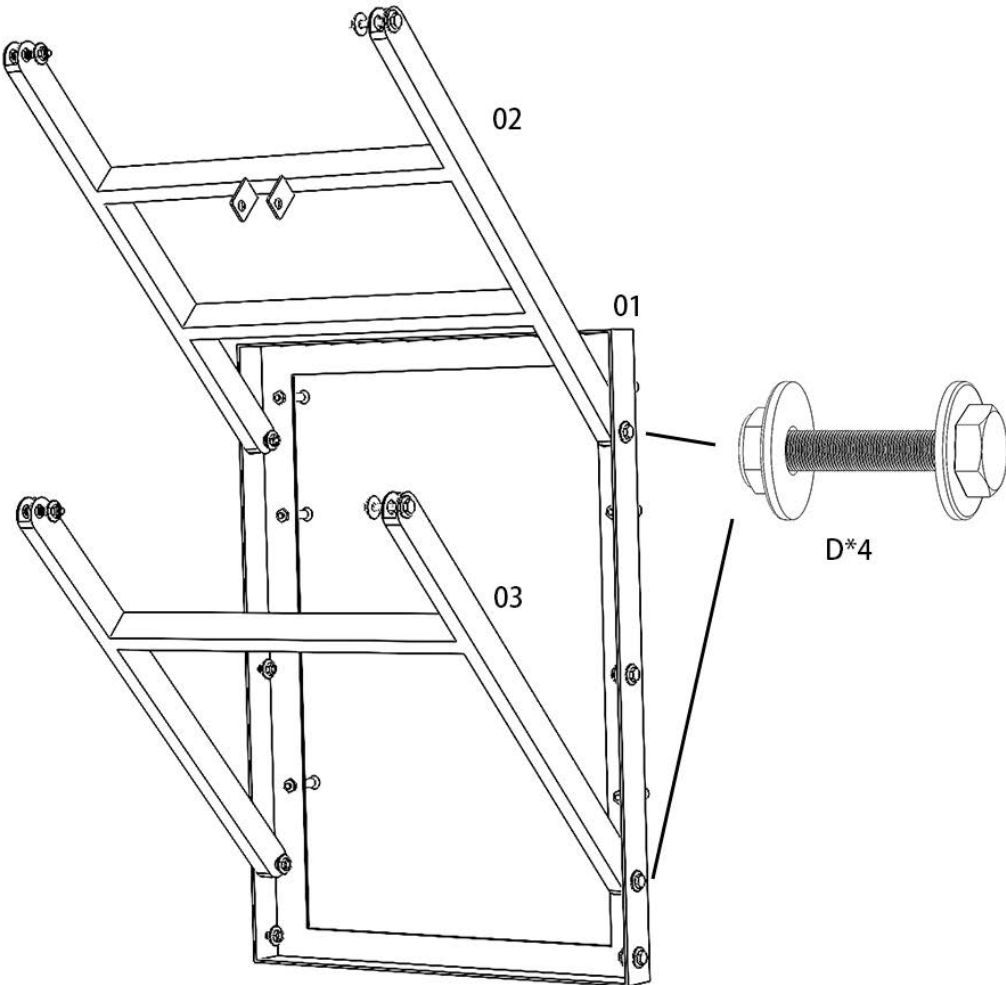
Note: In order to ensure that the maximum height of the basketball hoop from the ground reaches 3.05 meters, the height of the bottom end of the frame from the ground is greater than or equal to 2.5 meters.

2. Remove the frame and drill the holes with an electric impact drill. Place the frame install the expansion screws(D) and tighten. Make sure the frame fits securely and is not shaking.

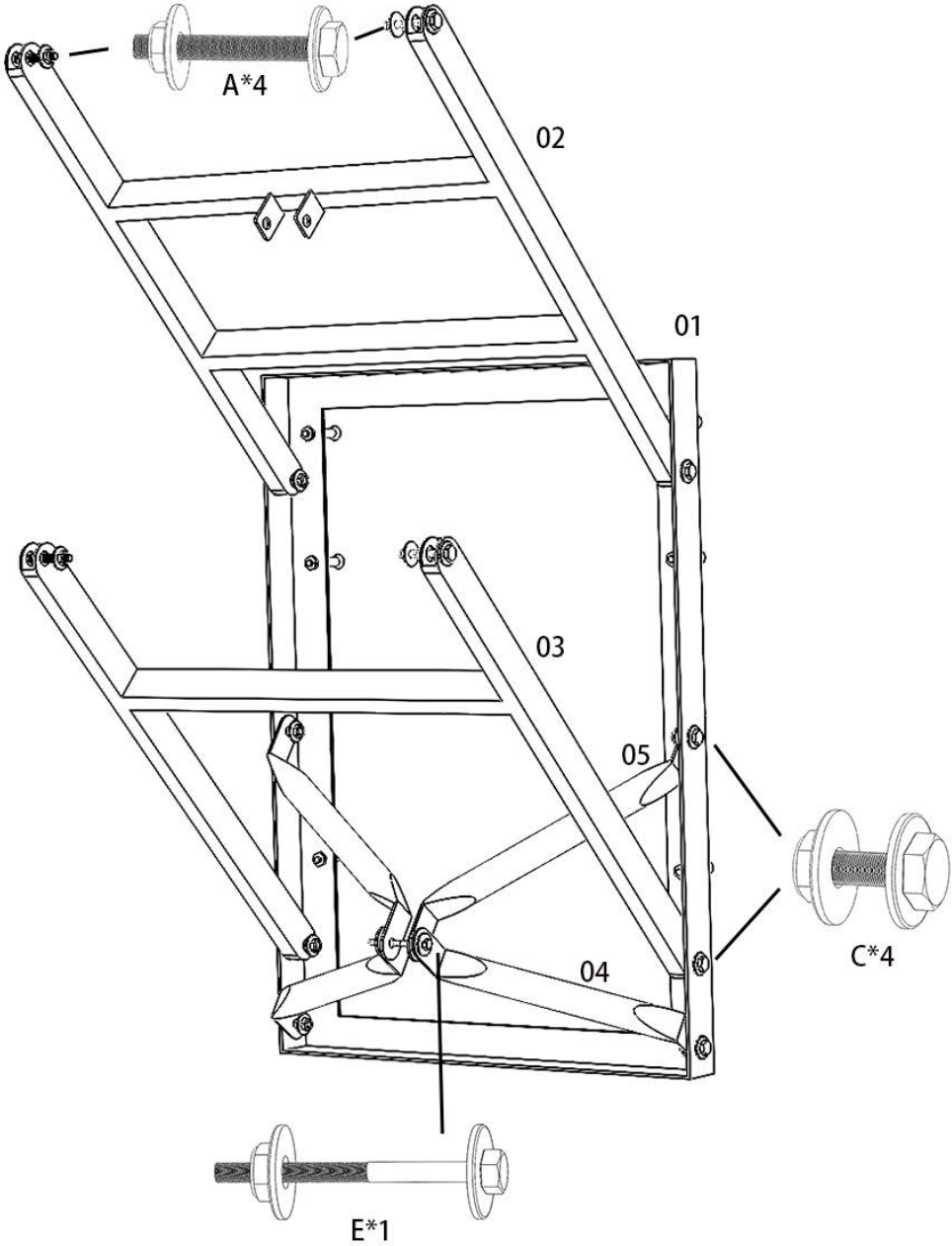


The height of the bottom end of the frame from the ground is greater than or equal to 2.5 meters.

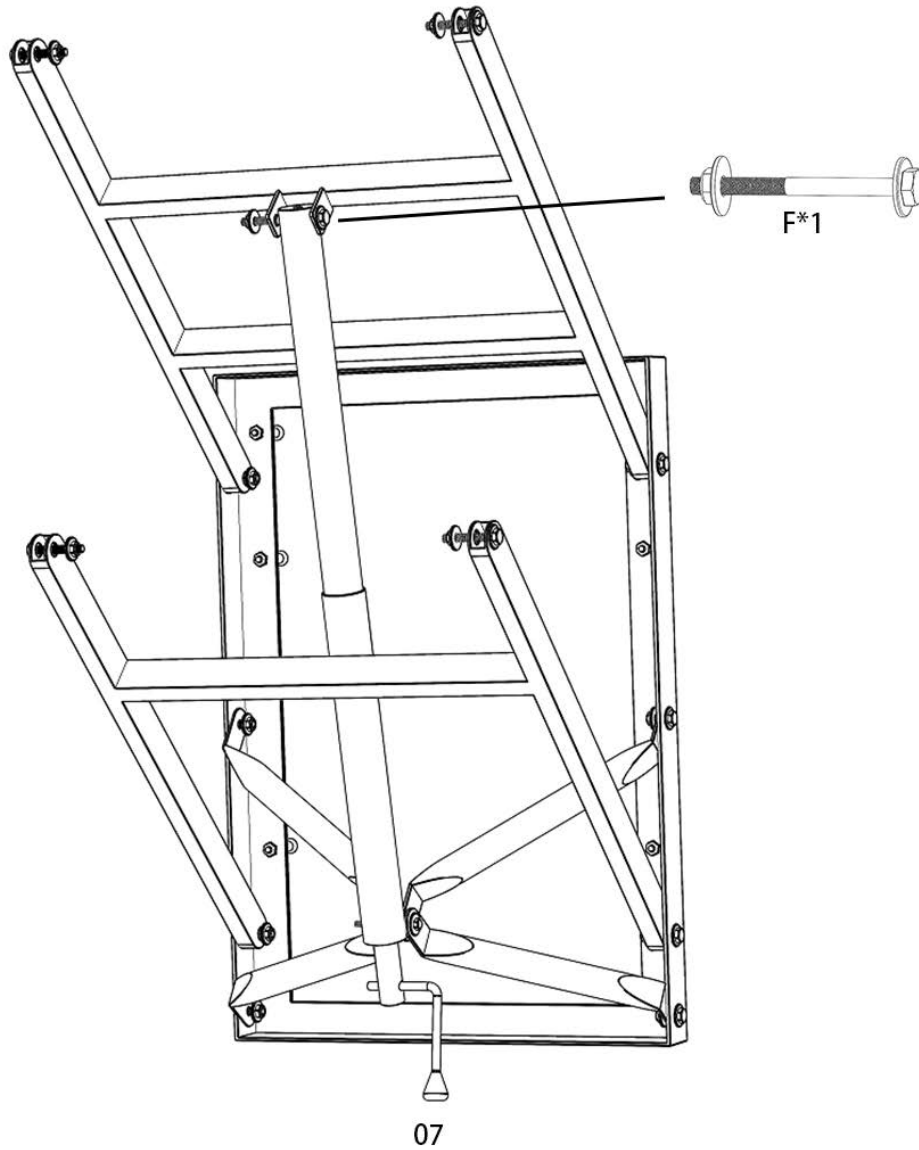
3. Install the H-shaped upper bracket (02) and lower bracket (03) and connect them to the frame with bolts B). Pay attention to the orientation of the bracket when installina, you can refer to the picture below.



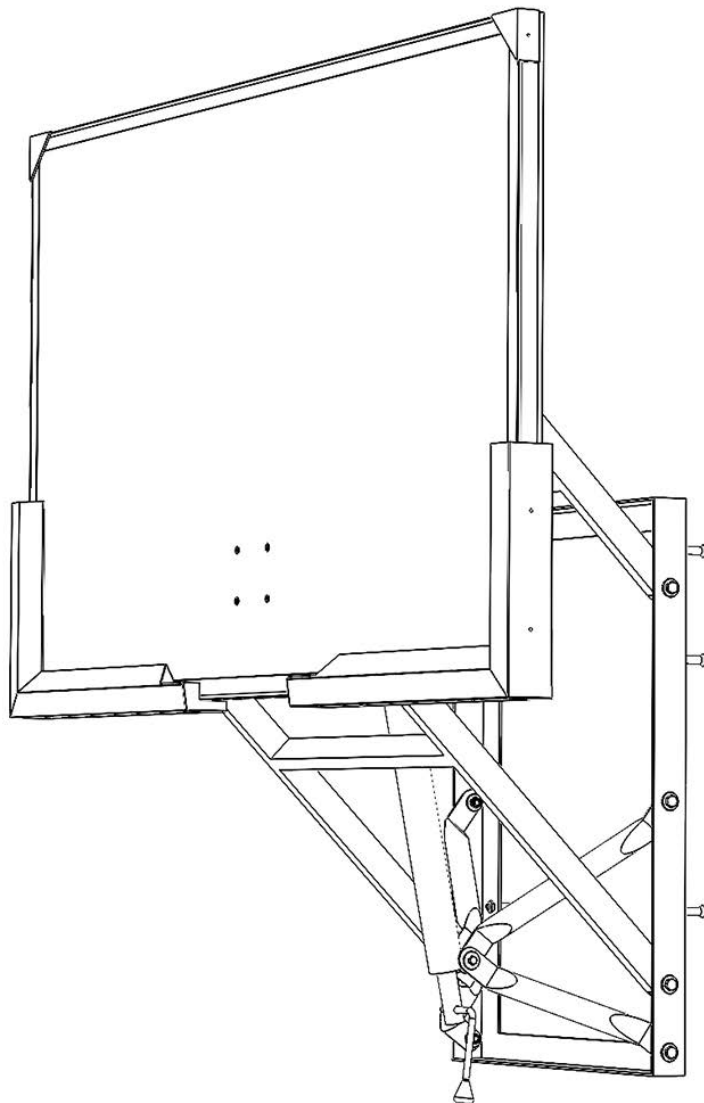
4. Connect the round tube bracket (04.05) to the frame with bolts (C) and make sure that these 4 round tubes are protruding closer to the center, you can refer to the figure below.



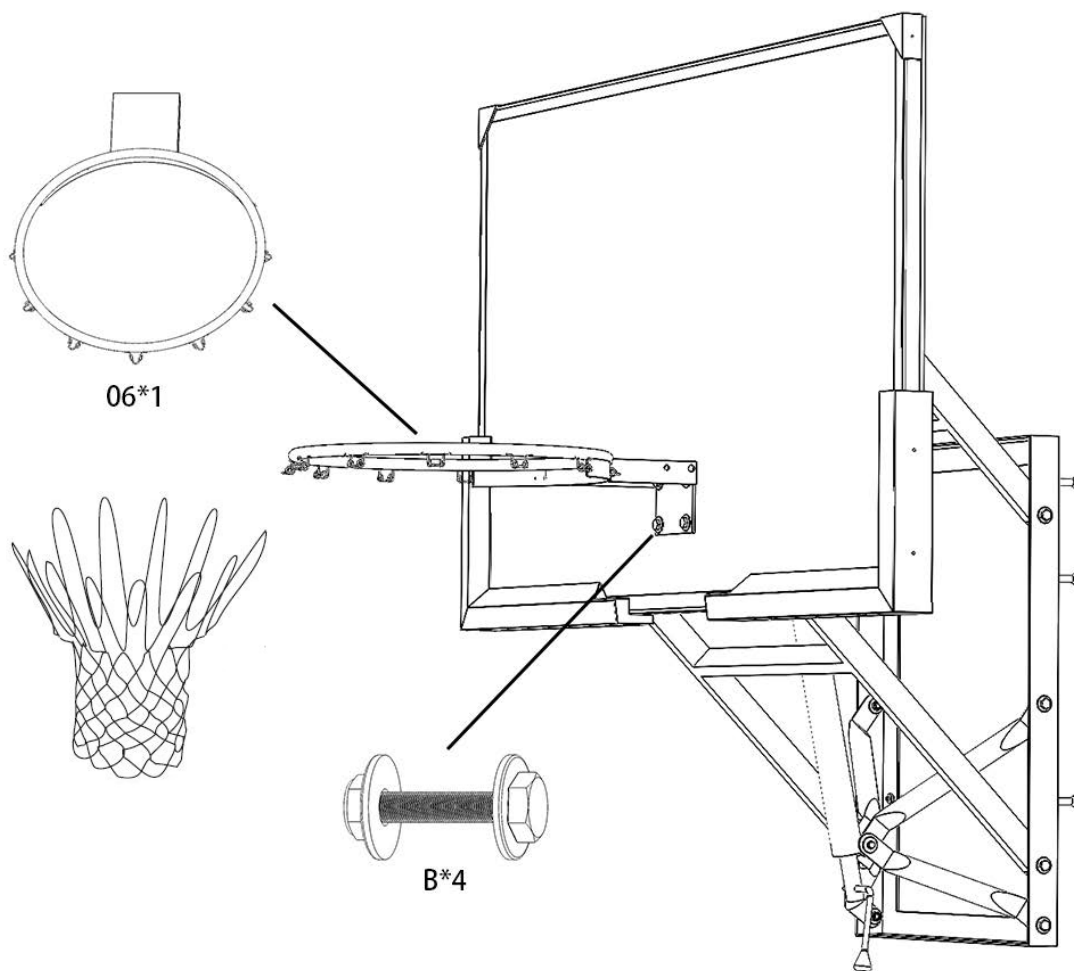
5. Connect the upper end of the lifting rod (07) with the corresponding position of the H-bracket with bolts(E), and connect the lower end of the lifting rod (07) with the four holes protruding from the round pipe with bolts (F). Install the hand crank(G) in the hole at the bottom of the lifting rod(07).



6. Connect the basketball board to the two H-brackets with bolts(A). Please pay attention to safety when installing.



7. Connect the hoop (06) with the basketball board with bolts (B) and tighten it. Hang the net on the hoop. Adjust the hoop to the appropriate height. Then you can enjoy playing basketball.



**ANBOO**  
[www.anboo.co](http://www.anboo.co)  
Tel:0086-523-86665602  
Wechat:13795289053  
E-mail:Service@anboo.co