

# INSTRUCTION MANUAL

## PORTABLE BASKETBALL STAND A030

### SAFETY INSTRUCTIONS

Owner must ensure that all players know and follow these rules for safe operation of the system.

To ensure safety, do not attempt to assemble this system without following the instructions carefully. Check entire box and inside all packing material for parts and/or additional instruction material. Before beginning assembly, read the instructions and identify parts using the hardware identifier and parts list in this document. Proper and complete assembly, use, and supervision are essential for proper operation and to reduce the risk of accident or injury. A high probability of serious injury exists if this system is not installed, maintained, and operated properly.

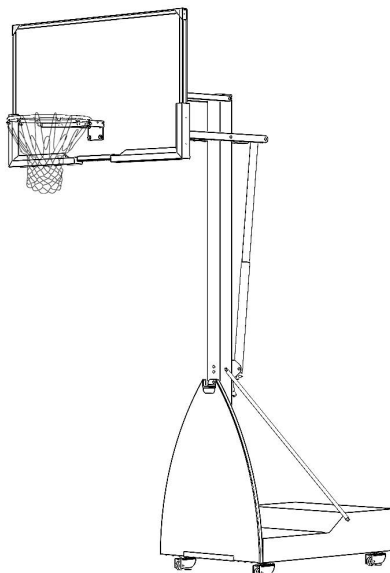
- If using a ladder during assembly, use extreme caution.
- Two(2) capable adults are recommended for this operation.
- Check base regularly for leakage. Slow leaks could cause system to tip over unexpectedly.
- Seat the pole sections properly(if applicable). Failure to do so could allow the pole sections to separate during play and/or transport of the system.
- Climate, corrosion, or misuse could result in system failure
- Minimum operational height is 66"(1.98 m) to the bottom of backboard.
- This equipment is intended for home recreational use only and NOT excessive competitive play\*Read and understand the warning label affixed to pole.
- The life of your basketball pole depends on many conditions. The climate placement of the pole location of the pole exposure to corrosives such as pesticides, herbicides or salts are all important.
- Adult supervision is recommended when adjusting height.

### Notice to assemblers:

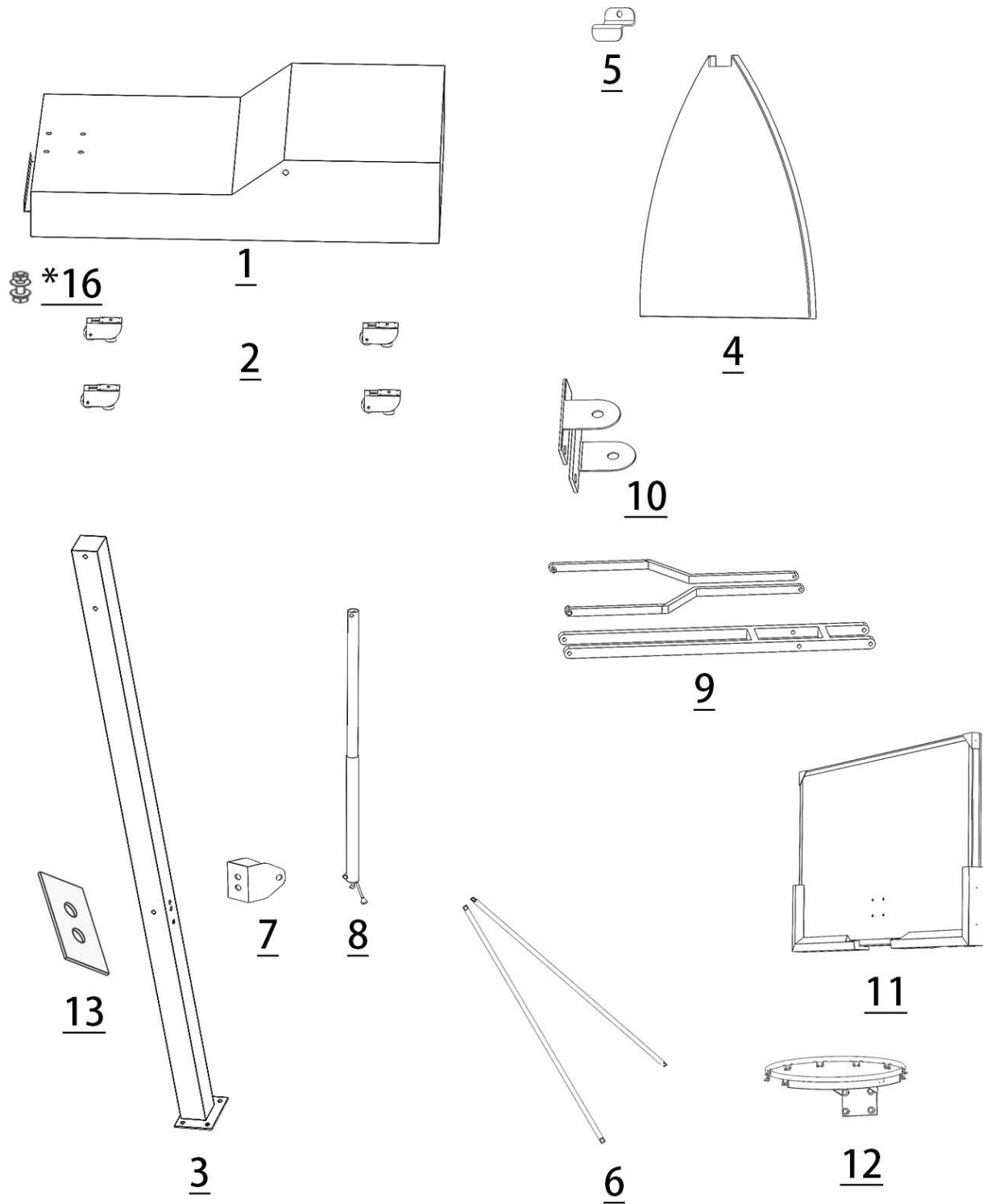
All the basketball systems, including those used for displays, must be assembled and ballasted according to instructions. Failure to follow instructions could result in serious injury.

Please read all warnings and cautions before assembly. It is recommended to supervise children as they play with this product. This product is to be assembled by 2 adults only!

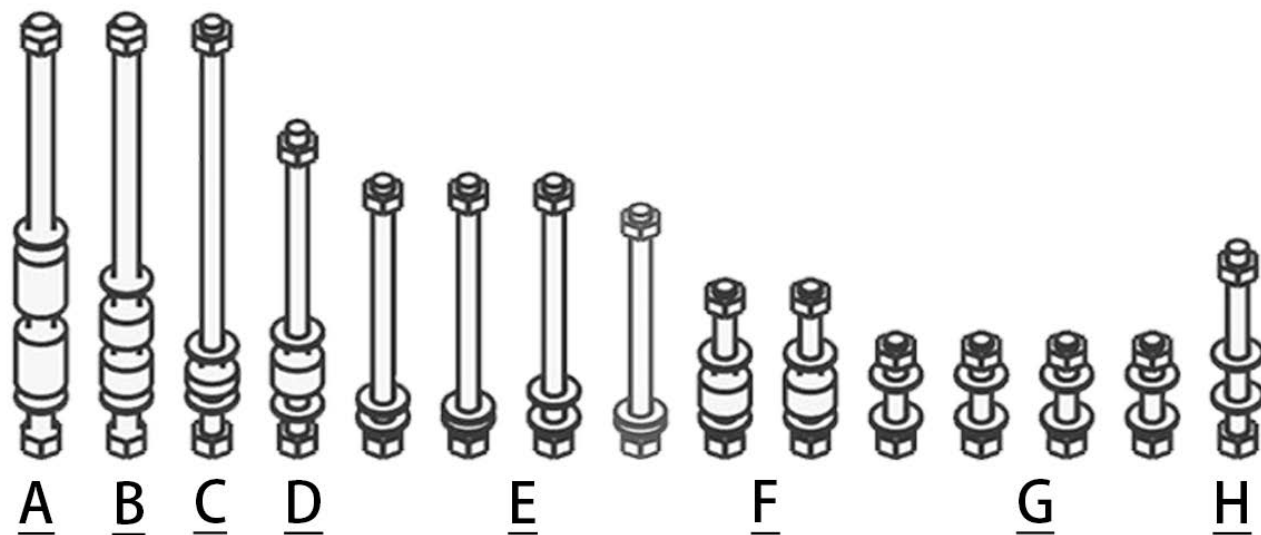
We appreciate your purchasing one of our many fine products. We are assure that you will be very satisfied with your selection.



Please confirm that the following accessories are complete after opening the package.

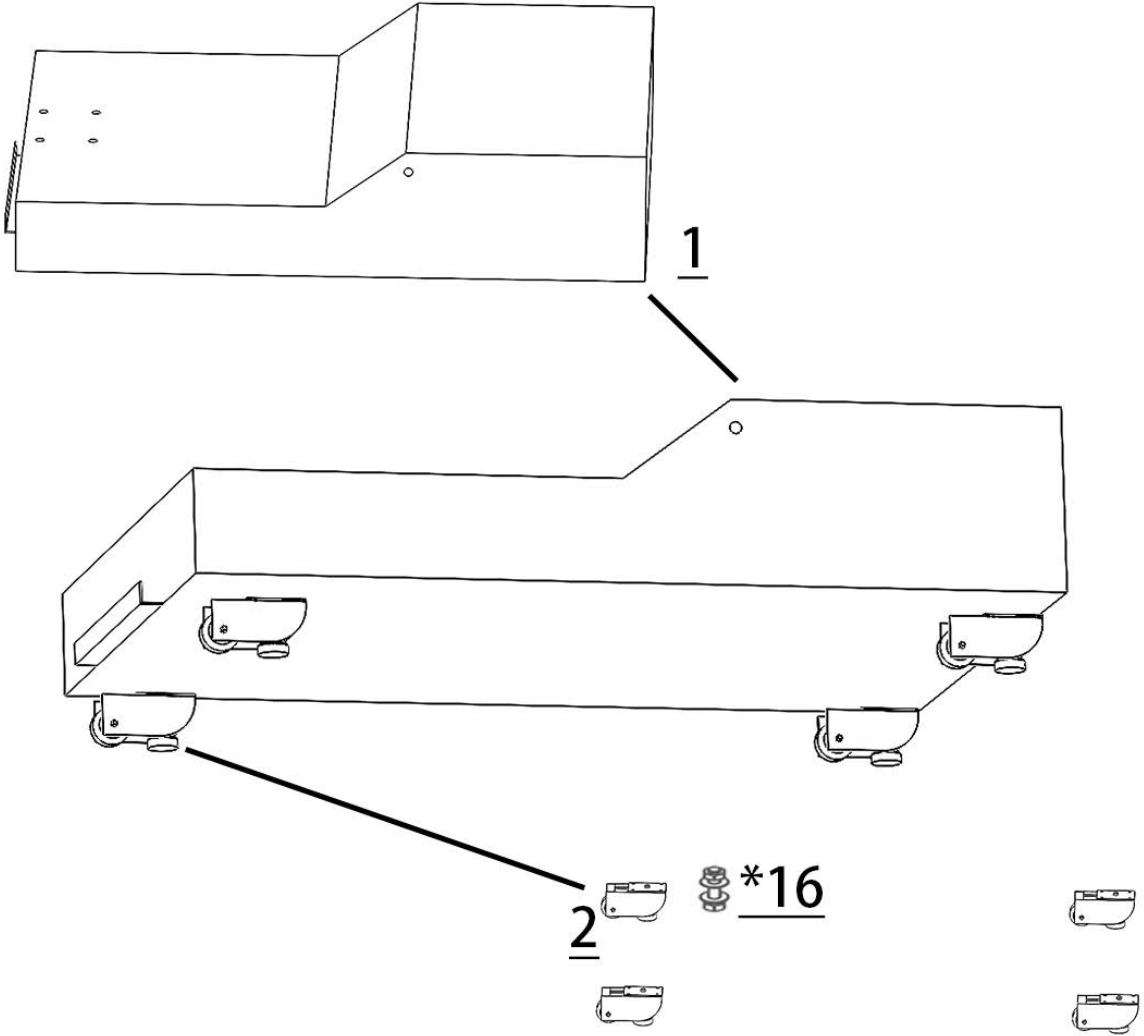


Please confirm that the following accessories are complete after opening the package.

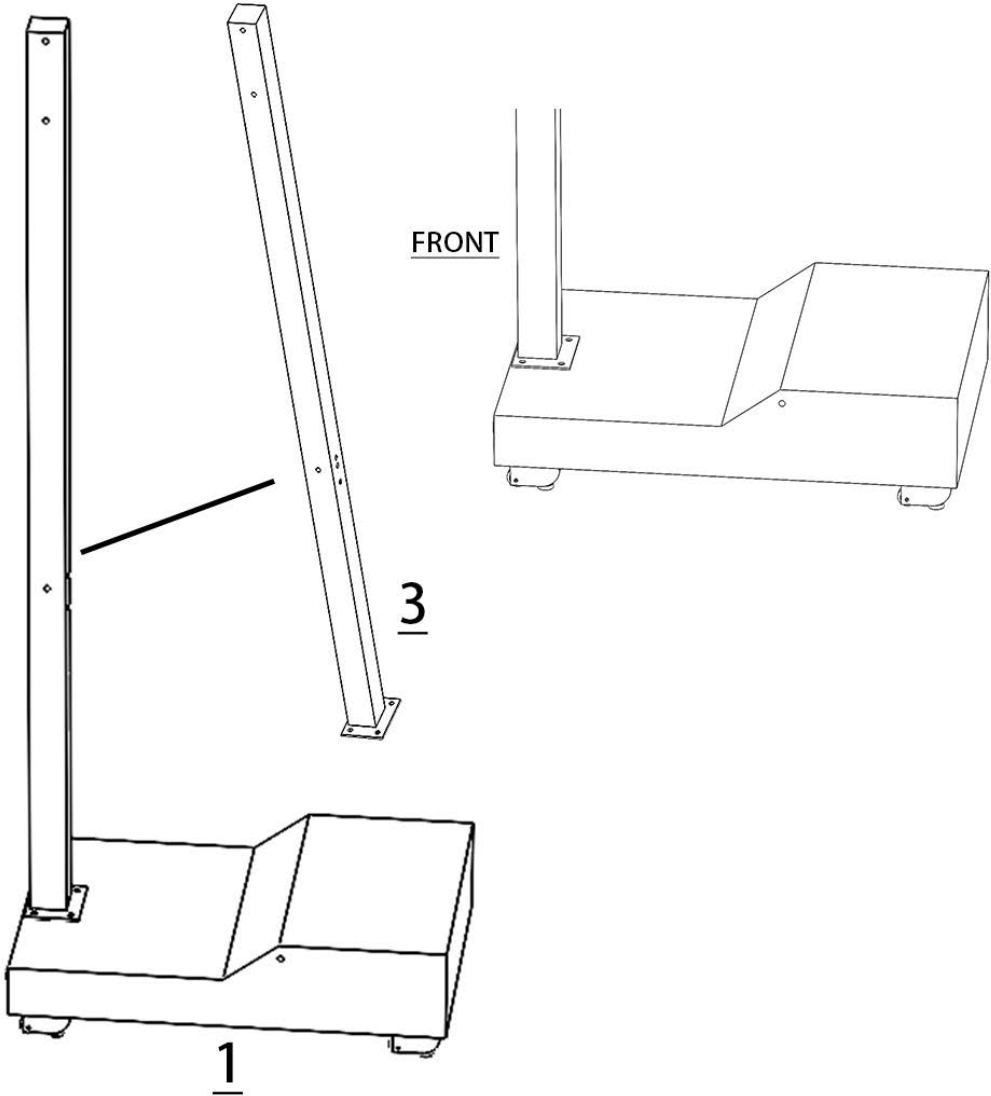


**Installation Steps:**

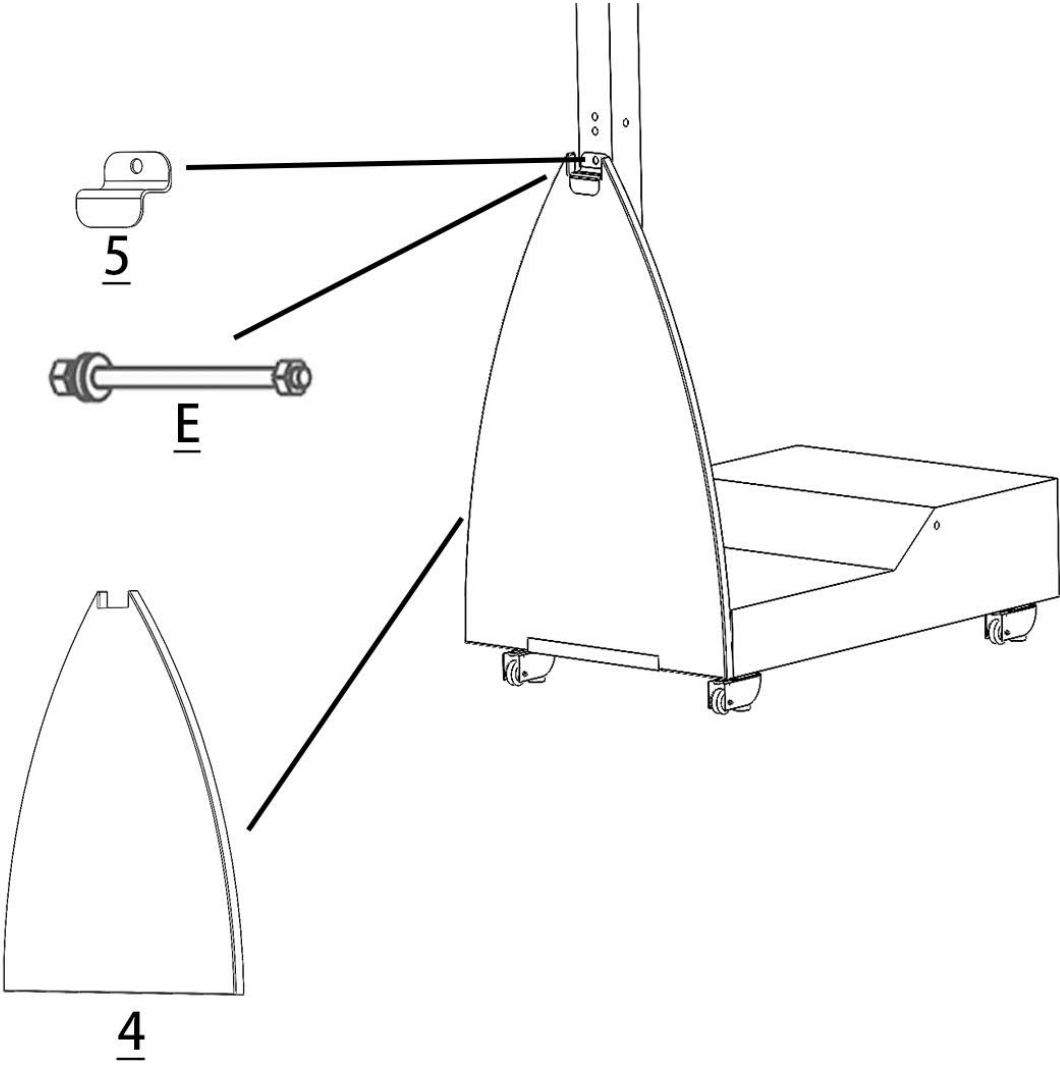
1. Install the wheel (2) on the base of the iron box (1). You can lock it by adjusting the height of the mats on the wheels, or you can raise the mats so that the wheels are in contact with the ground so that you can easily push the basketball hoop.  
Tips: Each wheel has 4 mounting bolts, tighten all bolts when installing.



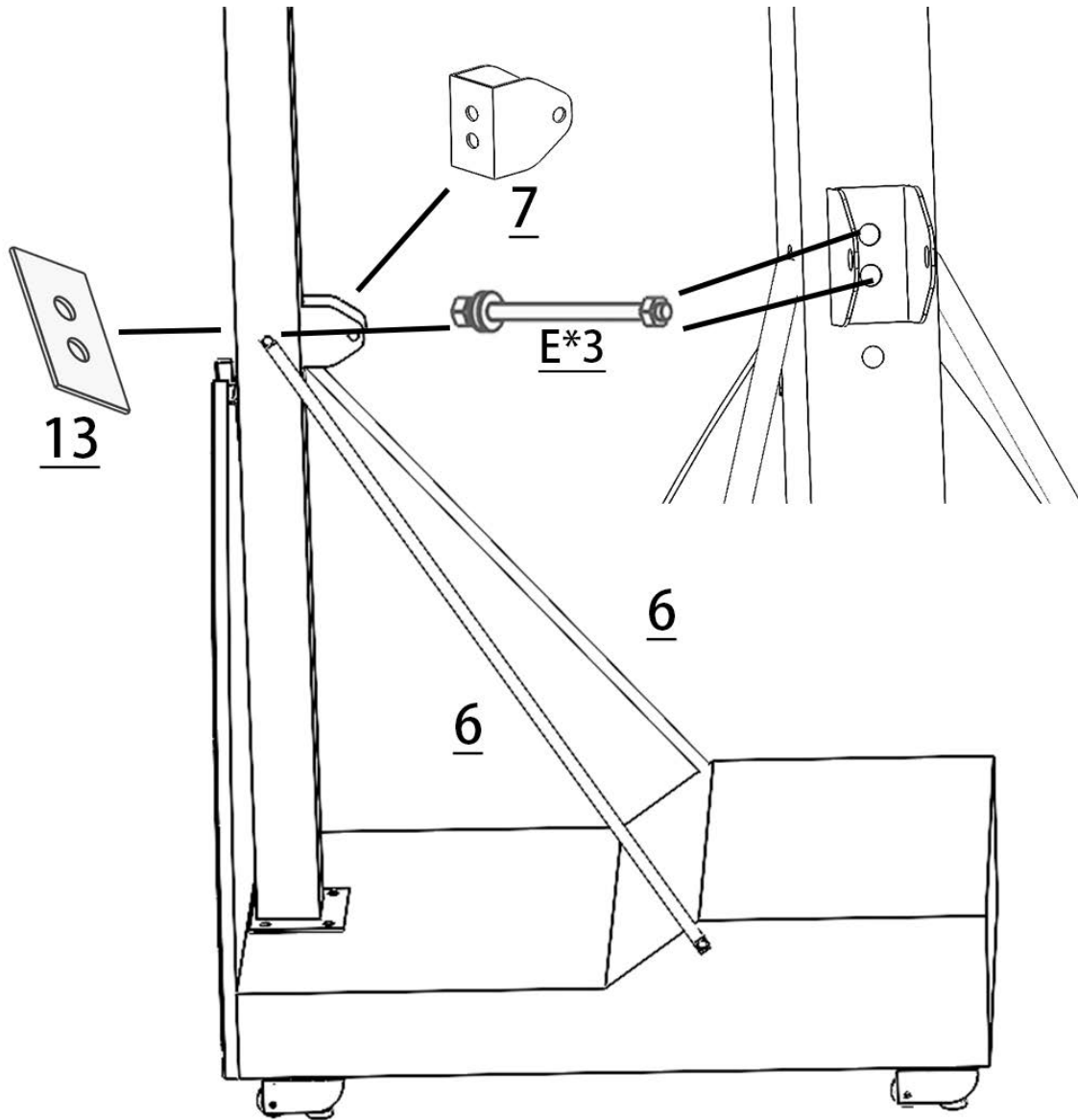
2.Remove the 4 reserved bolts above the base, install the metal main rod (3) on top of the base (1) and tighten it by bolting. When installing, please pay attention to the front and rear orientation of the main rod (3).Don't tight it till you put two support arms.



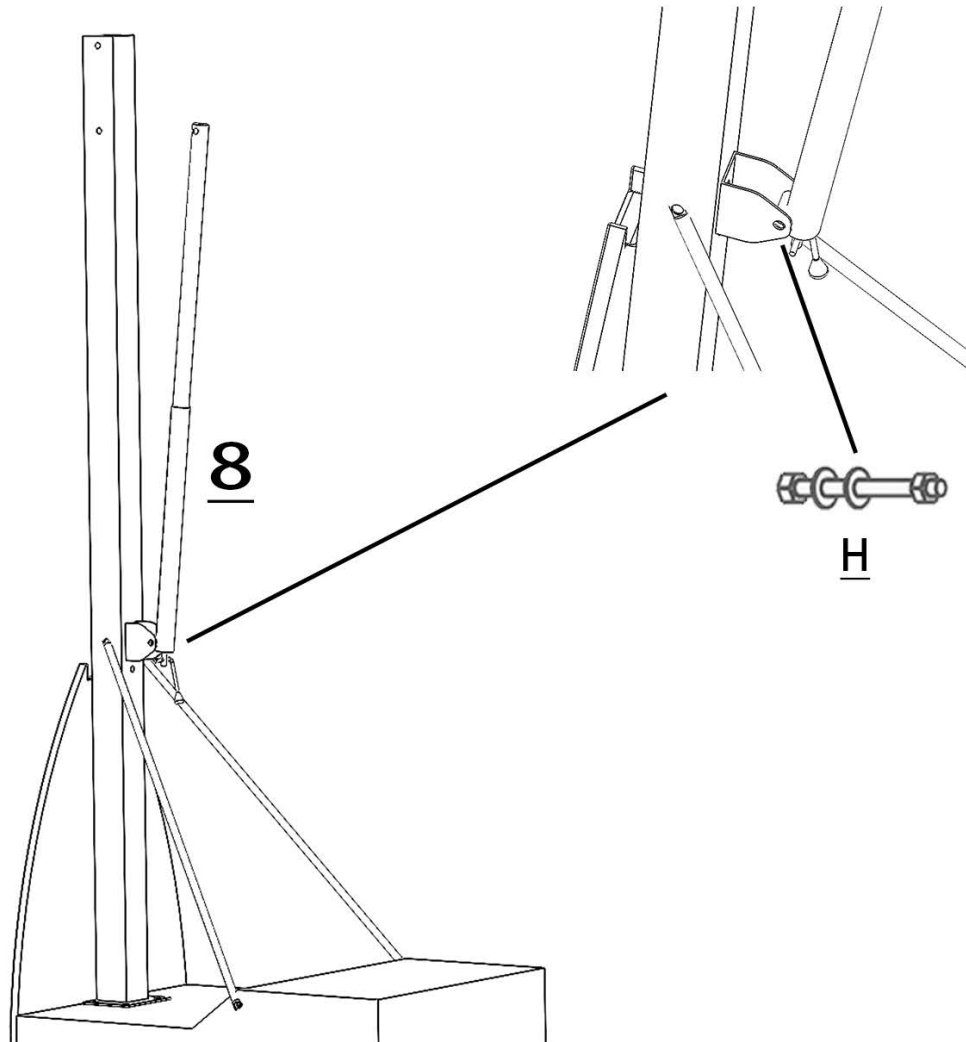
3. Install the triangular baffle (4) inside the notch in front of the base (1), and use bolt (E) to thread the part (5) through the hole above the main rod (3) and tighten it. Make sure the triangular baffle doesn't fall off easily.



4. The tie rod (6) is installed on the main rod (3) by bolt (E), and the bottom of the tie rod (6) is bolted to the side of the base (1). The component (13) and the component (7) are mounted in front and behind the main rod (3) by means of two bolts (E). Tighten the bolts after installation.

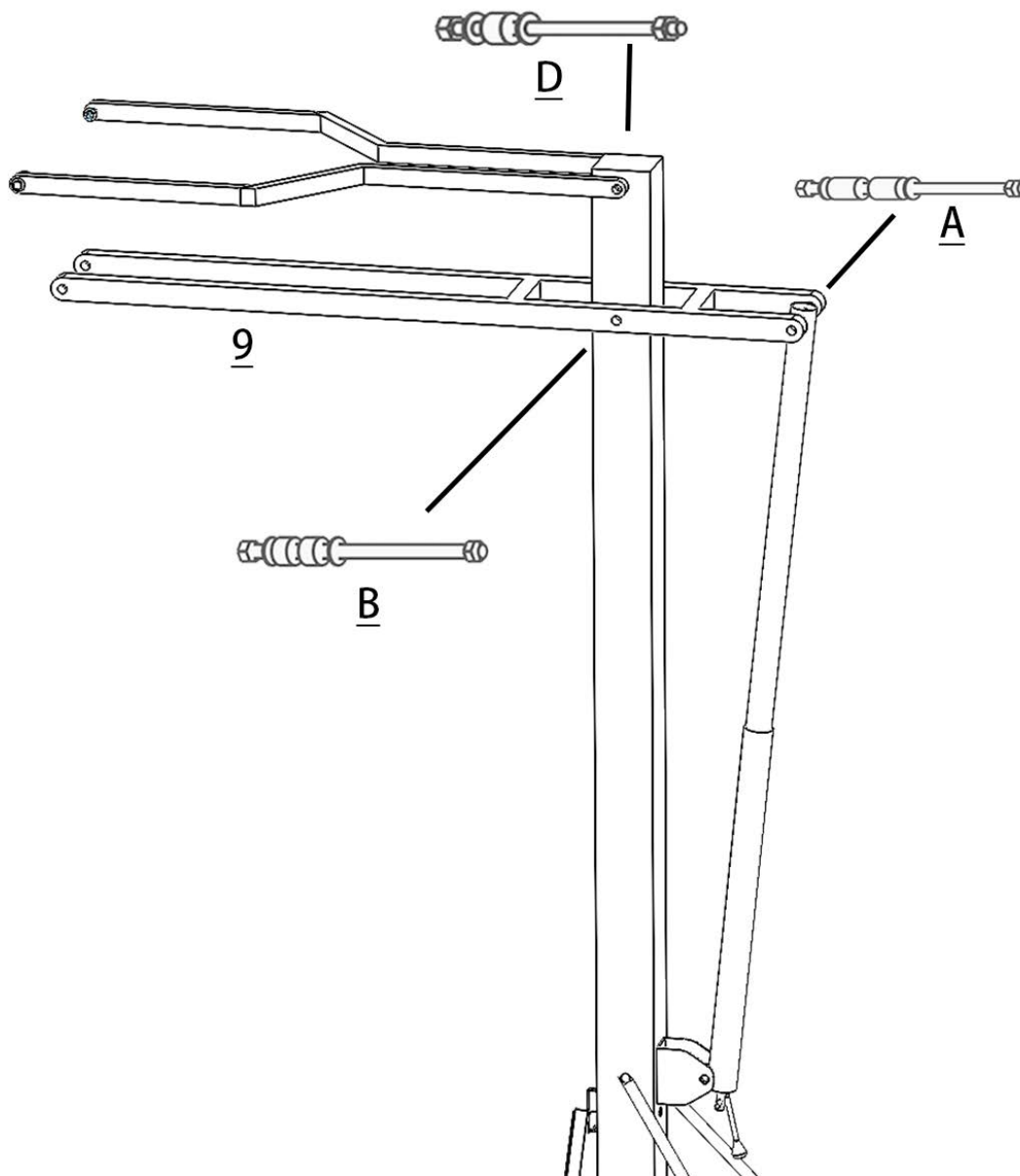


5. Connect the bottom of the lifting rod (8) with the part (7) by bolt (H).

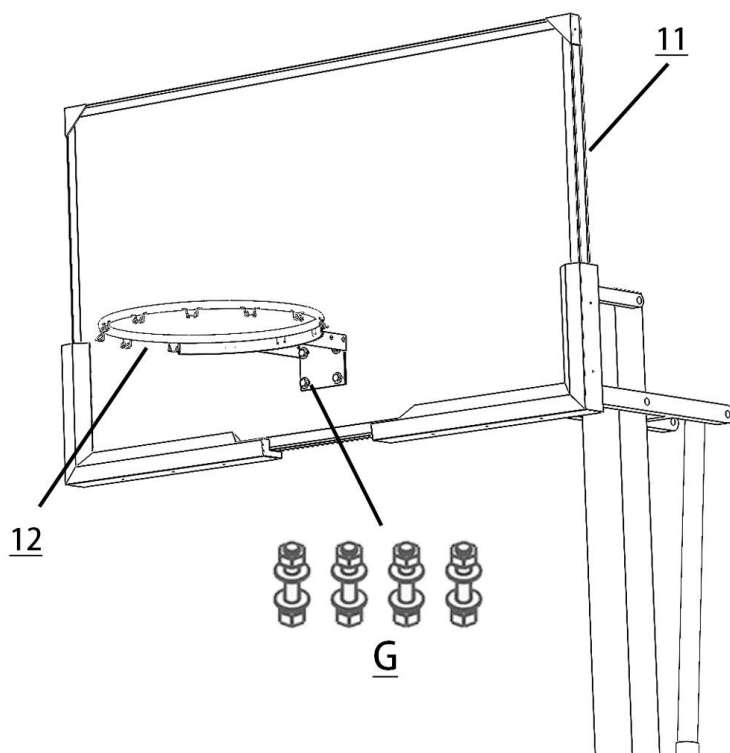
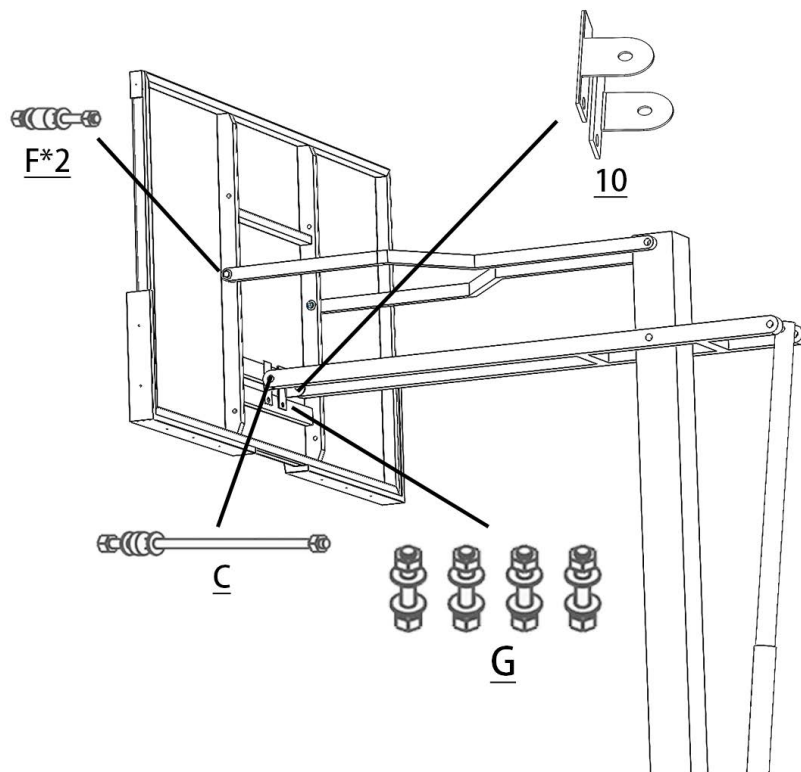




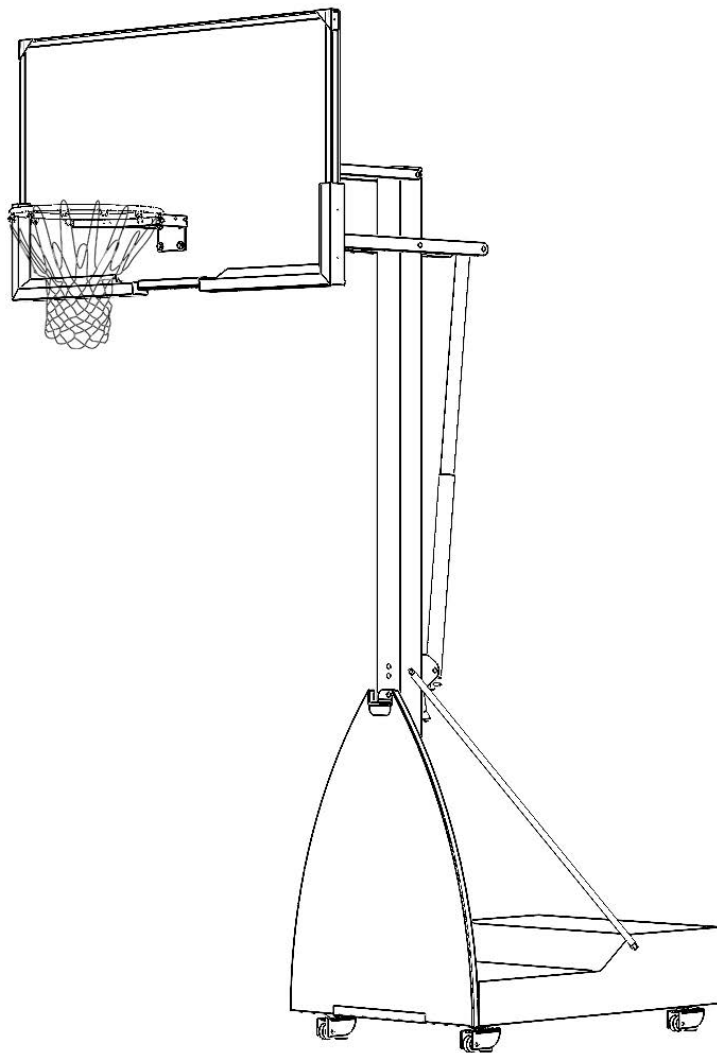
6. Set the H-bracket (9) on the periphery of the main rod (3), connect the top of the lifting rod with the H-bracket (9) by bolt (A), connect the H-bracket (9) with the main rod (3) by bolt (B), and connect the upper fork bracket (9) with the main rod (3) by bolt (D).



7. Connect the front end of the fork bracket (9) with the basketball board (11) by two bolts (F). Connect the front end of the H-bracket (9) to the part (10) by bolt (C). Part (10) is connected to the basketball board (11) and the hoop (12) in front of the basketball board (11) by four bolts (G).



8. Finally hang the net on the hoop (12). Adjust the basketball hoop (8) to the appropriate height by turning the rocker at the bottom of the lift bar (12). Move the basketball hoop to the right field and have fun.



**Precautions:**

**1; When installing, it is recommended to place the basketball hoop at the ground level for installation, and then erect the basketball hoop after installing all the components.**

**2. After installing all the parts, tighten all the bolts in case some parts need to be adjusted.**

**3; After erecting the basketball hoop, immediately load the sand for counterweight, it is recommended to pour 6 bags of 20 kg of sand.**